

**VILLAGE OF DUPO
SERVICE ENTRANCE UPGRADES**

Inspection Fee of \$25.00 Due Upon Request for Entrance Upgrade

The following are the requirements for service entrance upgrades:

RESIDENTIAL HOMES

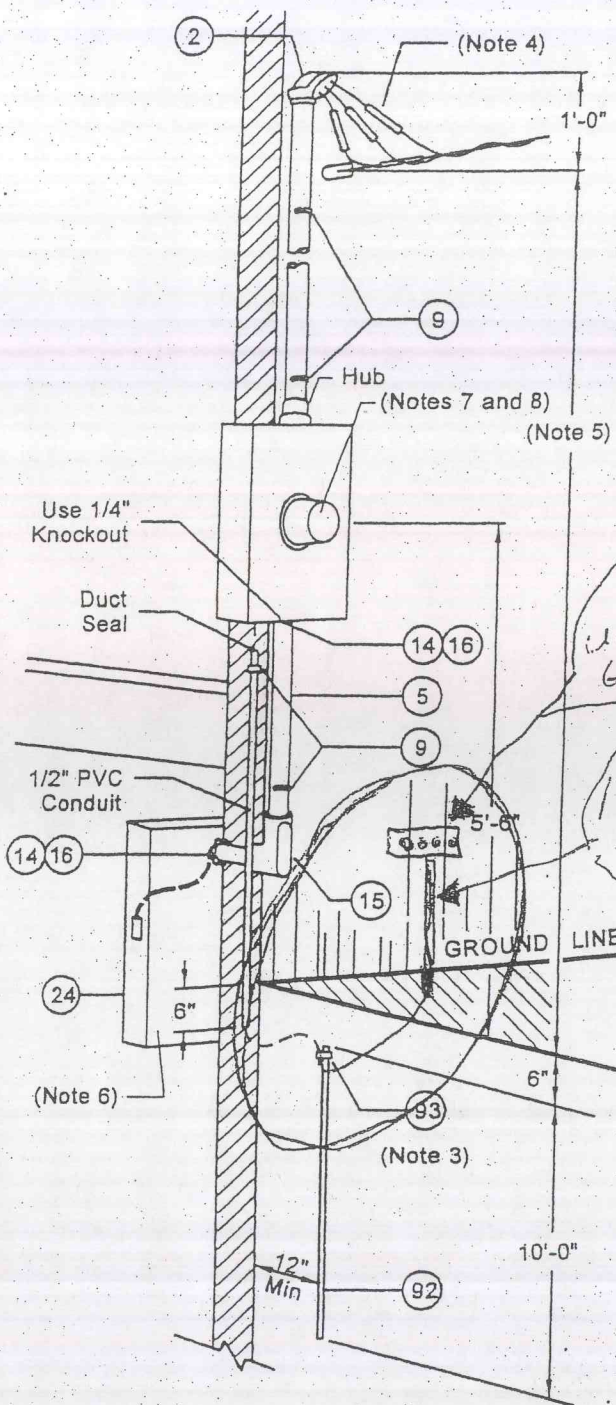
1. All panel boxes are to be ground bonded, all wiring done from meter box to panel box will be ran in either heavy wall metal conduit or schedule forty plastic.
2. All meter boxes are to be placed at five foot six inches from the ground as to requirements by AmerenIP.
3. Ground wire from meter box to ground rod to be routed through conduit to be six inches below grade. Ground rod is to be place at least six inches below ground level and twelve inches from ground wire conduit.
4. All service entrance upgrades are to be installed as to NEC CODE and as required by AmerenIP.
5. All service masts extending through the roof or eve of the building shall be minimum of 2" Heavy-Wall Steel Rigid Conduit.

MOBILE HOMES

1. All Service entrance meters must have a disconnect box located below meter box, with amperage disconnect Equal to the amount of amperage of the mobile home panel box. (No disconnect larger than panel box Mobile home).
2. Poles that are used are to meet AmerenIP specifications, as to height, depth of burial and location from Mobile home.
3. All wiring for disconnect box to mobile home panel box will be ran in conduit or direct burial as to NEC CODE.
4. Wiring from disconnect using direct burial must be ran in conduit to below grade level.
5. All grounding, ground wire and ground rod are the same as residential. Bonding ground wire must be ran From panel box to meter box if ran in conduit. Conduit on single strand wire are to be run from disconnect Box underground to underneath mobile home before coming above grade.
6. All service entrance upgrades on mobile homes are to be installed as to NEC CODE and as required by AmerenIP.

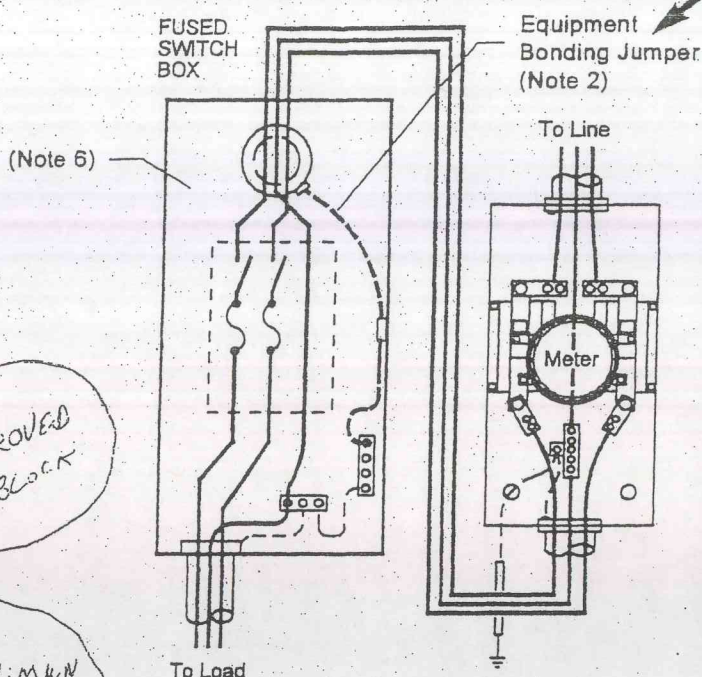
LEGEND

- Equipment Bonding Jumper - (Note 2)
- Grounding Electrode Conductor - No.6 Copper unless Local Code requires larger



N.E.C. APPROVED GROUND BLOCK

12" MINIMUM 1/2" P.V.C.



Wiring Diagram

Notes:

- 1) Before installing electrical facilities check for compliance with local codes as well as the N.E.C, and requirements stated in Note 4.
- 2) All equipment bonding jumpers to be sized according to table on back. Equipment bonding jumper shall be permitted to be bare, covered, or insulated. Individually covered or insulated equipment jumper shall have a continuous outer finish that is either green or green with one or more yellow stripes.
- 3) N.E.C. approved clamp. Leave uncovered until after inspection.
- 4) Approximately 3 feet of conductor will extend from weatherhead. All conductors should be the same size. The neutral to be natural grey or white in color.
- 5) All service supports must be furnished and installed by customer to provide not less than 10' ground clearance where service is subject to pedestrian traffic only; 12' over residential property. Driveways and commercial areas which are not subject to truck traffic; 16' minimum (18' recommended) over public streets, alleys, roads and parking areas subject to truck traffic.
- 6) The main service disconnect means shall be installed at the nearest readily accessible location (or immediately behind the wall where it enters the building if possible).
- 7) The electric meter, fuse box, and switch should be installed at least 18" horizontally from gas meter set. When conditions allow, a spacing of 36" is preferable.
- 8) Customer provided socket must meet 10-2.615 through 2.617.